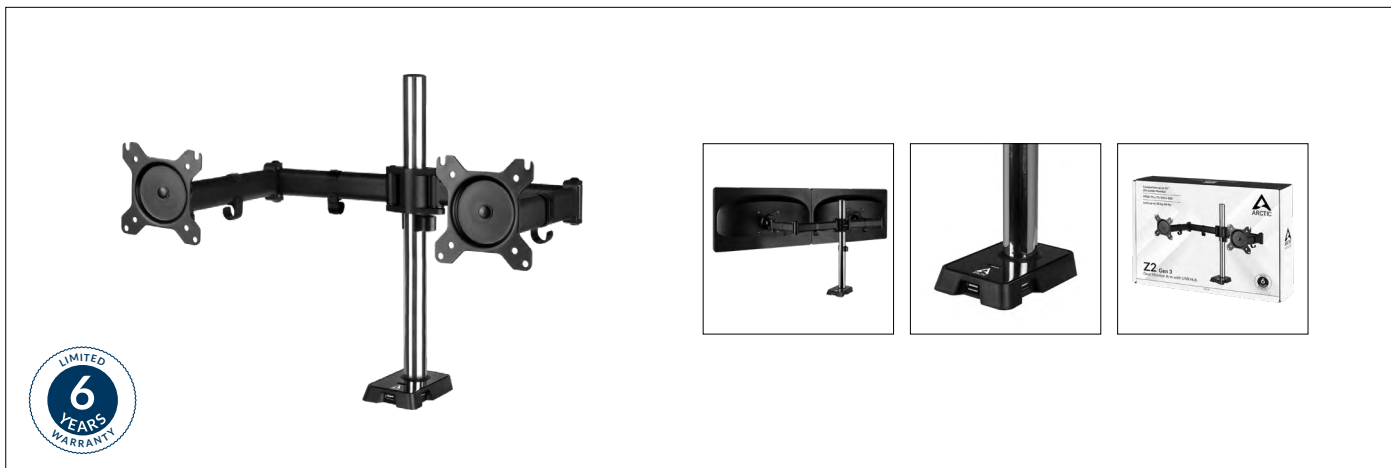


Z2 (Gen 3)

Desk Mount Dual Monitor Arm with USB Hub



General Specifications

Supported Screen Size	≤ 34"/≤ 35" Ultrawide Monitor
Maximum Monitor Width*	880 mm
VESA Standard	VESA 75 (75x75) VESA 100 (100x100)
Maximum Monitor Weight	15 kg 33 lbs
Rotation	360°
Swivel	180°
Tilt	+90°/-45°
Material	Steel, Aluminum Alloy ADC12
Weight	3.4 kg
Colour	Matt Black
Tabletop Thickness**	20 to 60 mm

*This specification applies when using two monitors of equal width and in horizontal orientation.

**For desks using a Honeycomb-structure or Sandwich-structure with hollow pockets, we recommend adding a stiffening board to prevent clamp damage on the tabletop.

USB Hub

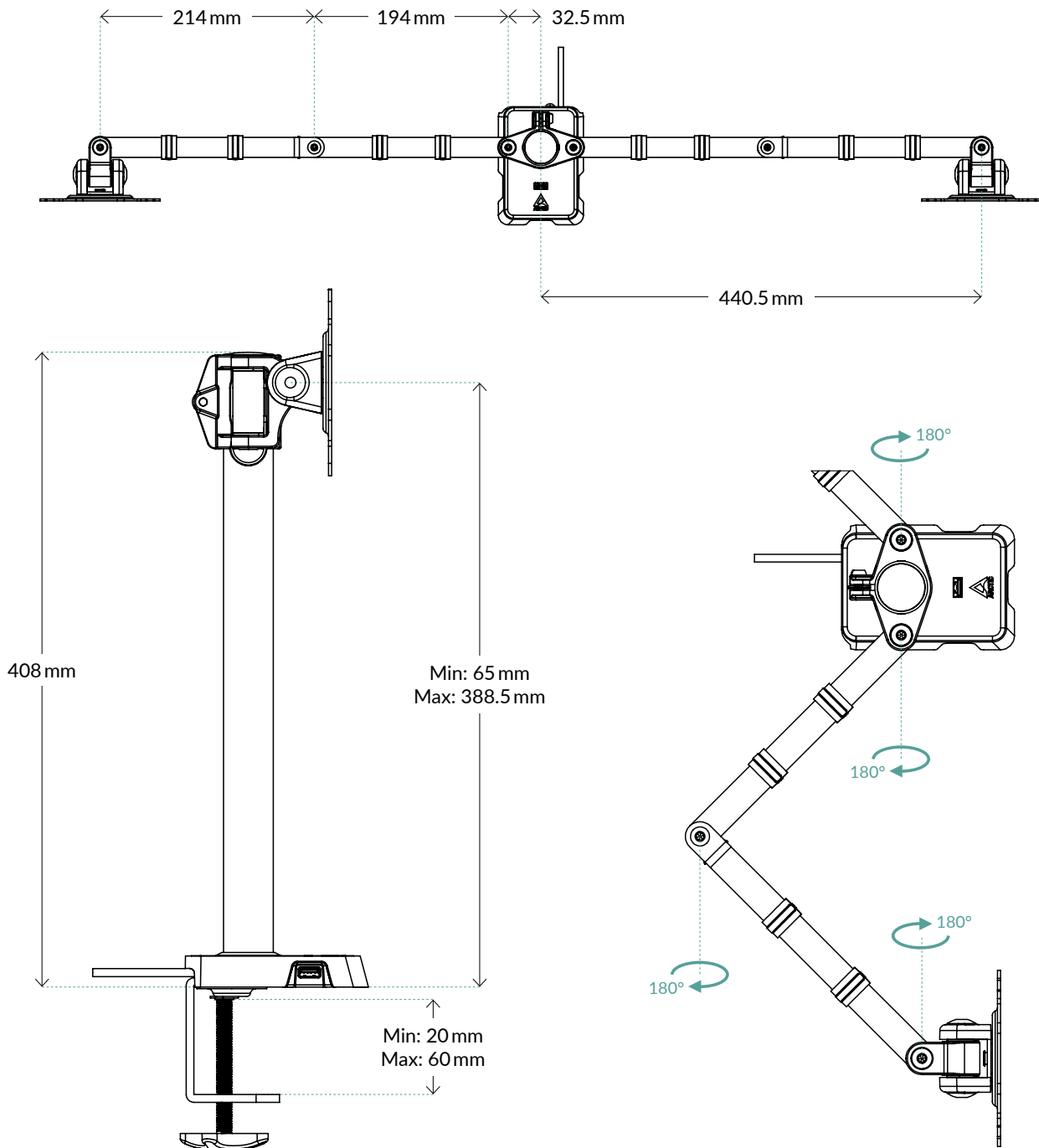
Ports	4x USB 2.0
Power Output	5 V DC Max. 500 mA
Compatibility	Windows, macOS, Linux
Cable Length	2 m

Shipping Information

Box Dimensions	426 (L) x 307 (W) x 78 (H) mm
Gross Weight	3833 g
SKU	AEMNT00053A
EAN	4895213701280
UPC	872767009240
Package Content	Z2 (Gen 3) x1 Installation Kit x1

Z2 (Gen 3)

Desk Mount Dual Monitor Arm with USB Hub



All materials are compatible with RoHS requirements.

MORE INFORMATION



MANUALS

